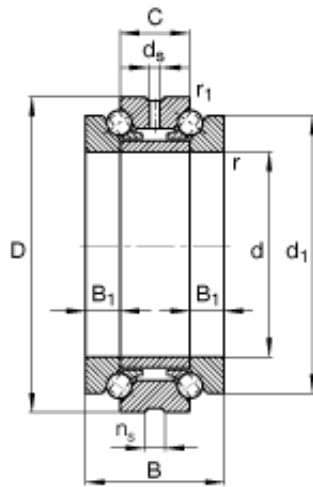




# NTN BEARING MANUFACTURING DE MEXICO,S...



62 mm x 95 mm x 44 mm FAG 234712-M-SP  
Ball bearing

Bearing No. 234712-M-SP

234712-M-SP Bearing 2D drawings and 3D CAD models

Size	62x95x44 mm
Bore Diameter	62 mm
Outer Diameter	95 mm
Width	44 mm
d	62 mm
D	95 mm
B	44 mm
B <sub>1</sub>	11 mm
C	22 mm
D <sub>a</sub>	89,5 mm / Tolerance: H12
d <sub>1</sub>	83 mm
d <sub>a</sub>	74 mm / Tolerance: h12
d <sub>s</sub>	3,2 mm
n <sub>s</sub>	6,5 mm
r <sub>1 min</sub>	0,3 mm
r <sub>a max</sub>	1 mm
r <sub>a1 max</sub>	0,3 mm
r <sub>min</sub>	1,1 mm
	60 ° / Angle
m	0,852 kg / Weight
C <sub>a</sub>	36000 N / Dynamic load rating (axial)
C <sub>0a</sub>	98000 N / Static load rating (axial)



## NTN BEARING MANUFACTURING DE MEXICO,S...

$n_{G\text{ Fett}}$	6000 1/min / Limiting speed for grease lubrication
$n_{G\text{ Oil}}$	8000 1/min / Limiting speed for minimal quantity oil lubrication