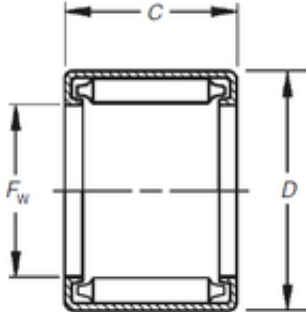




Timken BH-1614 Needle bearing



Bearing No. BH-1614

Size	25.4x33.338x22.23 mm
Bore Diameter	25,4 mm
Outer Diameter	33,338 mm
Width	22,23 mm
Fw	25,4 mm
D	33,338 mm
C	22,23 mm
Weight	0,048 Kg
Basic dynamic load rating (C)	31,9 kN
Basic static load rating (C0)	59,2 kN
(Grease) Lubrication Speed	3400 r/min

BH-1614 Bearing 2D drawings and 3D CAD models